



Driver Version:	1.03
Document Revision:	6

FieldServer Driver - Serial FS8700-87 B&B Electronics Digital I/O Module 485SDD16

Description

The FieldServer SDD16 driver is used to communicate with a digital I/O module model 485SDD16. The current driver only supports reading the status of all sixteen digital input lines. The SDD16 driver in conjunction with the 485SDD16 module allows the FieldServer to sense external On/Off conditions and to control a variety of devices.

The SDD16 driver makes use of the data complement mode feature of the 485SDD16 module. In data complement mode the driver and module communicates with double the amount of data bytes to enable better error detection in noisy electrical environments.

The driver is only available as a client. Server drivers are for FieldServer testing purposes only.

Formal Driver Type

Serial
Client

Connection Information

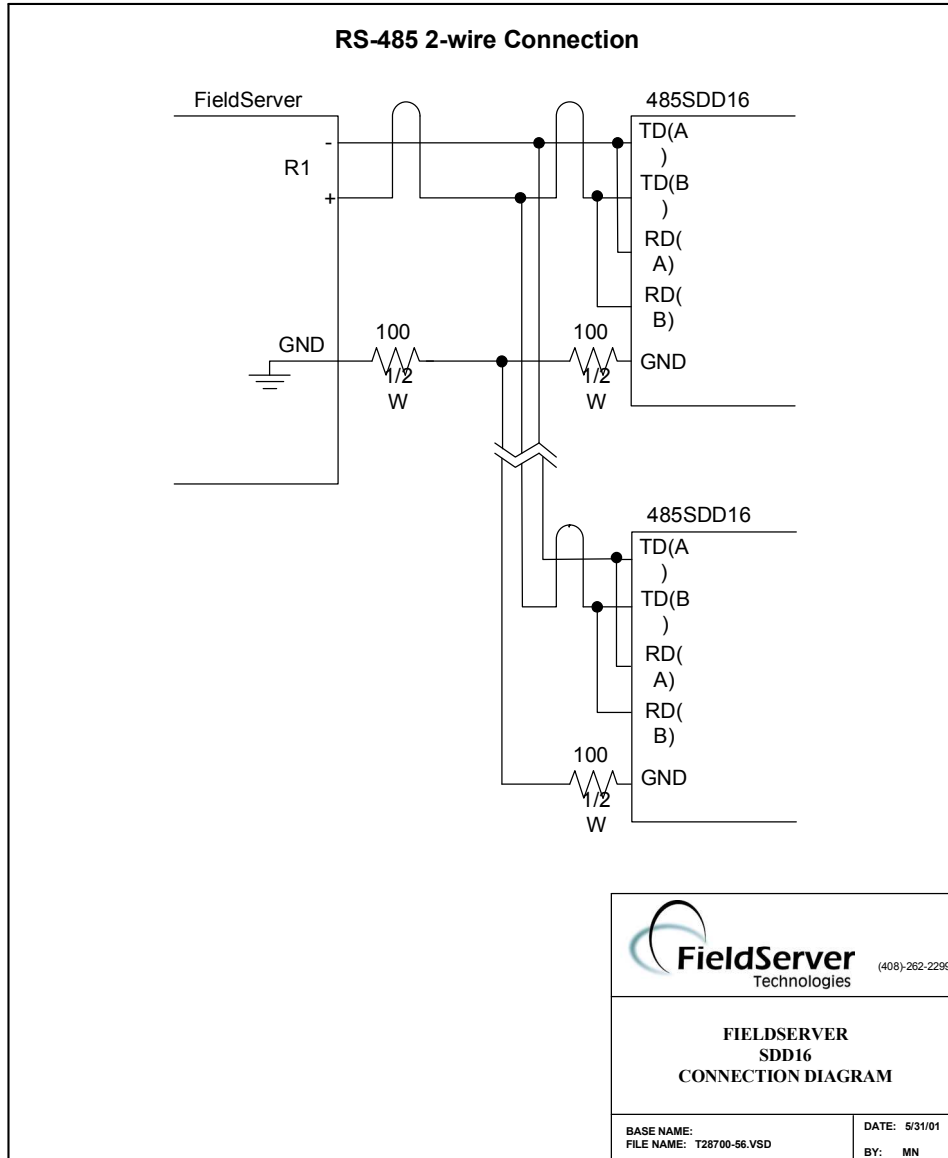
Connection type: RS-485 (Two wire, Half-Duplex)
Baud Rates: 1200; 2400; 4800; 9600
Data Bits: 8
Stop Bits: 1
Parity: None
Multidrop Capability: Yes

Devices tested:

Device	Tested
485SDD16	Factory



Connection configurations





Communications functions - Supported functions at a glance:

Data Types Supported

FieldServer Data Type	Description (or Device Data Type)
Digital Input	Digital Input Line

Read Operations supported

FieldServer as a Client
Read Binary Status:
Read the binary state of all digital input lines

Unsupported Functions and Data Types

Function	Reason
Read Digital Outputs	In development
Set Digital Outputs	In development
Program I/O lines direction as Input or Output	In development
Program Turnaround Delay	In development
Program Digital Output Lines' Powerup States	In development

Limitations

Limitation	Reason
Only one 485SDD16 module on a RS-485 line may be used	The addition of extra devices up to 256 devices are in development



Protocol Driver



A Sierra Monitor Company

THIS PAGE INTENTIONALLY LEFT BLANK