

## 1 DESCRIPTION

The Metasys® N2<sup>1</sup> by Johnson Controls network supports communications with a diverse range of devices. Many N2 compatible devices use their own version of the protocol and care must be taken to ensure that the device of interest is covered by the FieldServer implementation.

At present the FieldServer Metasys® N2 driver will support communications with the following devices or classes of devices when acting as a Client:

- N2Open-compliant devices. N2Open is a published N2-compatible protocol enabling 3<sup>rd</sup> party device vendors to integrate with N2.
- VMA 1400 series (with restrictions)
- DX9100 and XT9100

When acting as a Server the FieldServer Metasys® N2 driver can emulate an N2Open device only.

FieldServer Mode	Nodes	Comments
Client	1	Only 1 client node allowed on Multidrop systems. Can communicate with: <ul style="list-style-type: none"> <li>• N2Open</li> <li>• VMA 1400 series (AI,BI,AO,BO and custom types)</li> <li>• DX9100 / XT9100</li> </ul>
Server	255	

## 2 FORMAL DRIVER TYPE

Serial, Client or Server

## 3 COMPATIBILITY MATRIX

FieldServer Model	Compatible with this driver
FS-x2010	Yes
FS-x2011	Yes
FSx25	Yes
FS-x30	Yes
FS-x40	Yes
SlotServer	Yes
ProtoCessor FFP-FO2	Yes
ProtoNode	Yes
ProtoCessor FFP-FD2	Yes
QuickServer	Yes

<sup>1</sup> Metasys® and N2OPEN as used in this document are a trademarks of Johnson Controls Inc

#### 4 CONNECTION INFORMATION

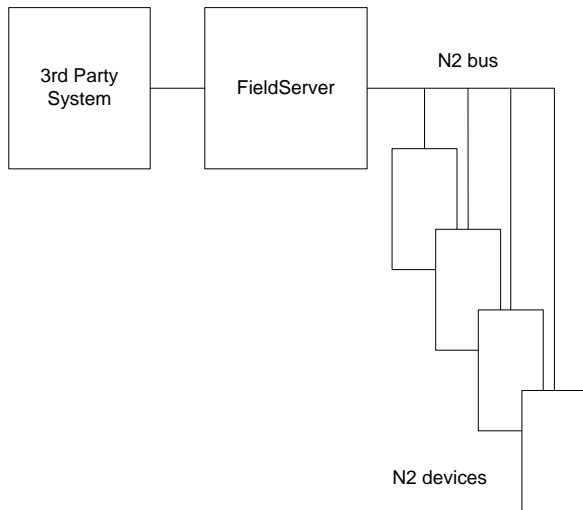
Connection type: RS-485 (Two wire, Half-Duplex)  
 Baud Rates: 9600 (N2 standard)  
 Data Bits: 8  
 Stop Bits: 1  
 Parity: None  
 Multidrop Capability: Yes

#### 5 DEVICES TESTED

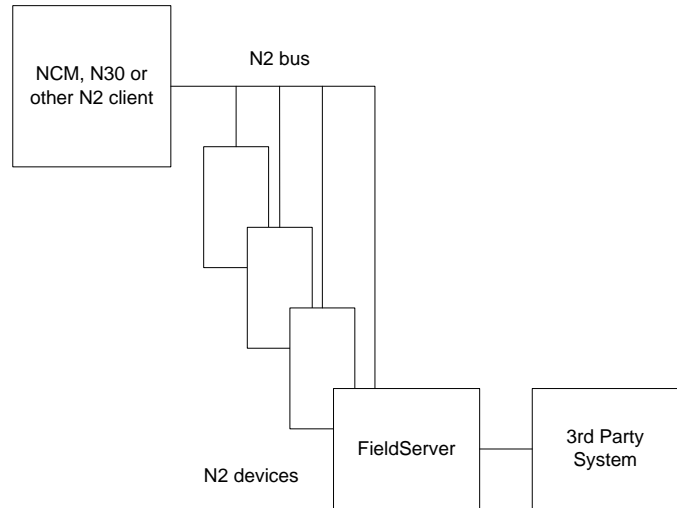
Device	Supported	Tested (FACTORY, SITE)	N2Open Device
AHU	✓	Site	✓
DC-9100	Consult Factory	not tested	Consult Factory
DX-9100	✓	Factory and Site	
IFC	Consult Factory	not tested	Consult Factory
ILC	Consult Factory	not tested	Consult Factory
MIG	Consult Factory	not tested	Consult Factory
NAE (FieldServer as N2Open server)	✓	Factory and Site	✓
NCM (FieldServer as N2Open server)	✓	Factory and Site	✓
PHX	Consult Factory	not tested	Consult Factory
TC-9100	Consult Factory	not tested	Consult Factory
TEC1000	Consult Factory	not tested	Consult Factory
UNT	✓	Site	✓
VAV	✓	Site	✓
VMA1410, VMA1420	✓	Factory and Site	✓
VND	✓	Site	✓
XT-9100	Consult Factory	Site	

## 6 CONNECTION CONFIGURATIONS

### FieldServer as a Client



### FieldServer as a Server



#### 6.1 Connection Notes

Only one N2 client may be connected to a N2 network. If the FieldServer is to act as a client, ensure no other clients are connected to the same N2 network.

## 7 COMMUNICATIONS FUNCTIONS – SUPPORTED FUNCTIONS AT A GLANCE:

### 7.1 Data Types Supported – N2Open

FieldServer Data Type	Description (or Device Data Type)
Analog_Input	Analog Input (AI)
Digital_Input	Binary Input (BI)
Analog_Output	Analog Output (AO)
Digital_Output	Binary Output (BO)
Float_Reg	Internal Float value (ADF)
Integer	Internal Integer value (ADI)
Byte	Internal Byte value (BD)

## 7.2 Read Operations Supported – N2Open

FieldServer as a Client	FieldServer as a Server
Read Current Value (all data types) direct read, Change-of-State (COS) poll	Read Current Value (all data types) direct read, Change-of-State (COS) poll
Read Attribute (all data types): direct read, specifying a legal attribute number	Read Attribute (all data types): direct read, specifying a legal attribute number
Identify Self command	Identify Self command
Read All Attributes (Optional) These commands are used to read all attributes of specified (Analog Input, Binary Input, Analog Output or Binary Output) object without specifying attribute number.	Read All Attributes (Optional) These commands are used to read all attributes of specified (Analog Input, Binary Input, Analog Output or Binary Output) object without specifying attribute number.

## 7.3 Write (Control) Operations Supported – N2Open

FieldServer as a Client <sup>2</sup>	FieldServer as a Server <sup>2</sup>
Override Current Value (all data types) implemented as Write on FieldServer	Override Current Value (all data types) implemented as Write on FieldServer
Override Release (all data types)	Override Release (all data types)
Write Attribute (all data types) direct write, specifying a legal attribute number	Write Attribute (all data types) direct write, specifying a legal attribute number
Time Synch Not Supported	Time Synch FSx20 and FSx40 clocks are updated on receipt of this command. All other FieldServers ignore this command
Write Characterize Attributes (Optional) These commands are used to set all attributes that characterize the specified (Analog Input, Binary Input, Analog Output or Binary Output) object without specifying an attribute number.	Write Characterize Attributes (Optional) These commands are used to set all attributes that characterize the specified (Analog Input, Binary Input, Analog Output or Binary Output) object without specifying an attribute number.
Write Internal Parameter Command (Optional). This command is used to change the value attribute of internal parameter objects without specifying an attribute number.	Write Internal Parameter Command (Optional). This command is used to change the value attribute of internal parameter objects without specifying an attribute number.

<sup>2</sup> On a Metasys® network there should be only one device overriding a value at any time. Otherwise it is possible that the Metasys® Master sees a value different to the overwritten value as the FieldServer will respond to a poll with the value last read from the Slave device.

#### 7.4 Listing of Supported Attributes – N2Open

Data Type	Attribute No.	Attribute
Analog Input	1	Object Configuration
	2	Object Status
	3	Analog Input Value
	4	Low Alarm Limit
	5	High Alarm Limit
	6	Low Warn Limit
	7	High Warn Limit
	8	Differential
Binary Input	1	Object Configuration
	2	Object Status
Analog Output	1	Object Configuration
	2	Object Status
	3	Current Value
Binary Output	1	Object Configuration
	2	Object Status
	3	Minimum On-Time
	4	Minimum Off-Time
	5	Maximum Cycles/Hour
Internal Float	1	Object Status
	2	Current Value
Internal Integer	1	Object Status
	2	Current Value
Internal Byte	1	Object Status
	2	Current Value

#### 7.5 Unsupported Functions and Data Types – N2Open

Function	Reason
Read Memory Diagnostics	Not required
Warm Start Message	Not required
Status Update Message	Not required
Programming messages (upload, download)	Not required (fieldServer is a data transfer device)

### 7.6 Data Types Supported – VMA

FieldServer Data Type	Description (or Device Data Type)
Analog_Input	Analog Input (AI)
Digital_Input	Binary Input (BI)
Analog_Output	Analog Output (AO)
Digital_Output	Binary Output (BO)
Float_Reg	Internal Float value (ADF)
Integer	Internal Integer value (ADI)
Byte	Internal Byte value (BD)

### 7.7 Read Operations Supported – VMA

FieldServer as a Client	FieldServer as a Server
Read Current Value (all data types)	Not applicable
Direct Read, Change-of-State (COS) poll	

### 7.8 Write (control) Operations Supported – VMA

FieldServer as a Client	FieldServer as a Server
Write / Override Current Value (all data types) implemented as Write on FieldServer	Not applicable
Override Release (AI and BI only) use writes for outputs and internal values	

### 7.9 Unsupported Functions and Data Types – VMA

Function	Reason
Programming messages (upload, download)	Not required – FieldServer is a data transfer device..

### 7.10 Data Types Supported - DX9100

FieldServer Data Type	Description (or Device Data Type)
Not specified for DX9100 device type	Supported sections of Address Map:
	general control module
	programmable modules 1-12
	analog input modules 1-8
	analog output modules 1-2
	digital output modules 3-8
	extension modules 1-8
	time schedules 1-8
	optimal start/stop modules 1-2
	analog output modules 9-10
auxiliary analog output modules 11-13	

7.11 Read Operations Supported - DX9100

FieldServer as a Client	FieldServer as a Server
Read of all points supported	Not applicable

7.12 Write (control) Operations Supported - DX9100

FieldServer as a Client	FieldServer as a Server
Write of all points supported	Not applicable
DX9100 may not allow writes to specific values	

7.13 Unsupported Functions and Data Types - DX9100

Function	Reason
Programming messages	Not Required - FieldServer is a data transfer device