

1 DESCRIPTION

The Hochiki Serial driver allows the FieldServer to read data from Hochiki FireNET panels over RS-232. The FieldServer acts as a Client and reads the event log queue to record the status of the panel and various devices connected to the panel. The protocol used by the Fieldserver is independent of the user interface language of the panel.

This driver is not capable of emulating a Hochiki panel.

The Hochiki FireNET panel can be a standalone panel or part of network. Each Fire Alarm Panel on the Network is considered as a Node. Up to 64 Nodes can exist on one network.

The Hochiki panel logs the events as they occur. The FieldServer continuously reads the number of events in the log queue. When new events occur, they are read from the log via the PC (J5) port. The FieldServer parses and stores the data in Data Arrays. These Data Arrays can be monitored by third party tools.

Please note that the FieldServer can be configured with a large number of points. The point limits purchased with the FieldServer prevent the entire database from being accessed in any one application. It is therefore strongly advisable to ensure that only the point addresses of interest are configured, and that the FieldServer is purchased with the correct point count.

Max Nodes Supported

FieldServer Mode	Nodes	Comments
Client	1	Only one Hochiki PC (J5) connection per port.
Server	0	This driver can not be configured as a Server

2 FORMAL DRIVER TYPE

Serial

Client Only

3 COMPATIBILITY MATRIX

FieldServer Model	Compatible with this driver
FS-x2010	Yes
FS-x2011	Yes
FSx25	Yes
FS-x30	Yes
FS-x40	Yes
SlotServer	No
ProtoCessor FPC-FO2	No
ProtoNode	No
ProtoCessor FPC-FD2	No
QuickServer FS-QS-1010	No
QuickServer FS-QS-1011	No

4 CONNECTION INFORMATION

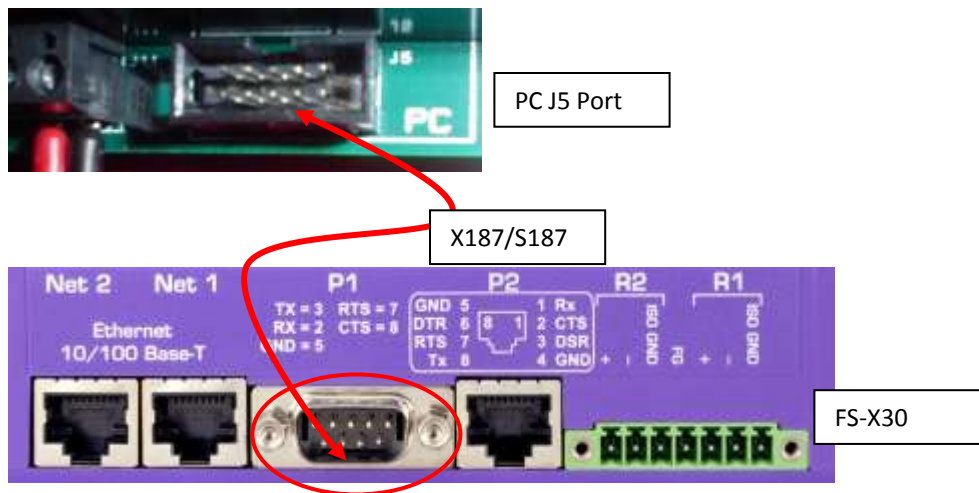
Connection type: RS-232
 Baud Rates: 19200 (Vendor limitation)
 Data Bits: 8 (Vendor limitation)
 Stop Bits: 1 (Vendor limitation)
 Parity: None (Vendor limitation)
 Multidrop Capability: No
 Connection type: RS-232

5 DEVICES TESTED

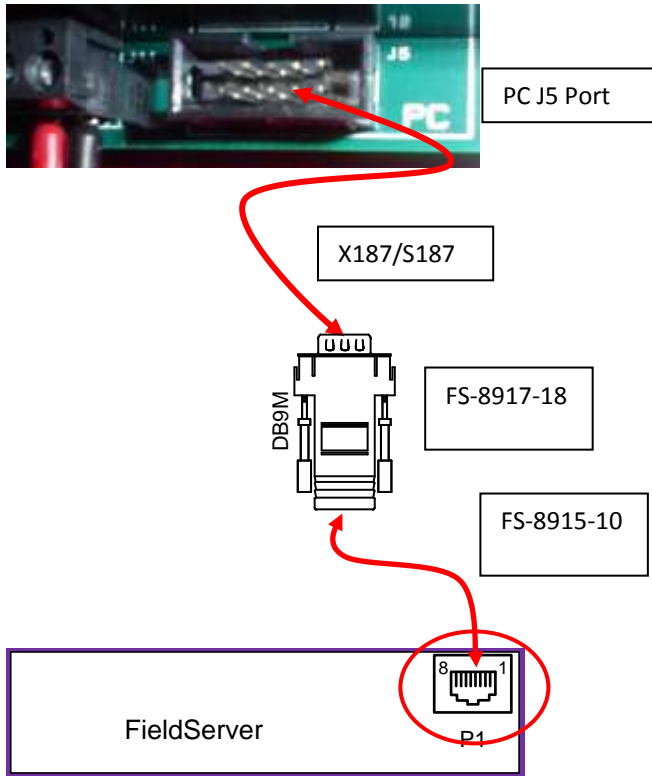
Device	Tested (FACTORY, SITE)
Hochiki FireNet 4127	Factory

6 CONNECTION CONFIGURATIONS

6.1 Connection to FS-X30



6.2 Connection to FS-X20, FS-X40



FS-8917-18 Pinouts

FS Function	RJ45 Pin#	DB9M Pin#	Color
RX	1	2	White
CTS	2	8	Brown
DSR	3	6	Yellow
GND	4	5	Green
DTR	6	1	Black
RTS	7	7	Orange
TX	8	3	Blue

7 COMMUNICATIONS FUNCTIONS - SUPPORTED FUNCTIONS AT A GLANCE:

7.1 Data Types Supported

FieldServer Data Type	Description (or Device Data Type)
Panel	To hold data for panel level events
SLC_Loop	To hold data for SLC loop and devices connected on loop
Nac_Board	To hold event data from NAC circuits.
IO_BOard	To hold event data from IO Boards
Others	To hold event data that does not belong to above categories
LED_Status	To hold panel's LED statuses
Panel_Version	To hold panel's firmware's version

7.2 Read Operations supported

FieldServer as a Client can read LED status and version information and the following events

FieldServer as a Client
Fire
Emergency
Auxiliary
Pre alarm
Supervisory
Fault (Trouble)
Security
Disable

FieldServer as a Client
Testing
Status
CEAction

7.3 Unsupported Functions and Data Types

Function	Reason
Programming and configuratrion messages	FieldServer is a data transfer device, and as such, programming messages are not required. Use vendor's config tools to configure and program the panel