

## 1 DESCRIPTION

The CB-Link driver allows the FieldServer to transfer data to and from devices over RS-485 using CB-Link protocol. Refer to “Model 833-2771 CB-Link” Manual #65-0216 and “Model 833-2757 General Purpose Interface ControlBus Module” Manual #65-0220 from Cleaver Brooks.

Command/SubCommand Supported:

## 2 FORMAL DRIVER TYPE

Serial

Server Only

## 3 COMPATIBILITY MATRIX

FieldServer Model	Compatible with this driver
FS-x2010	Yes
FS-x2011	Yes
FSx25	No
FS-x30	Yes
FS-x40	Yes
SlotServer	No
ProtoNode	No
ProtoCessor FPC-FO2	No
ProtoCessor FPC-FD2	No
QuickServer FS-QS-1010	No
QuickServer FS-QS-1011	No

## 4 CONNECTION INFORMATION

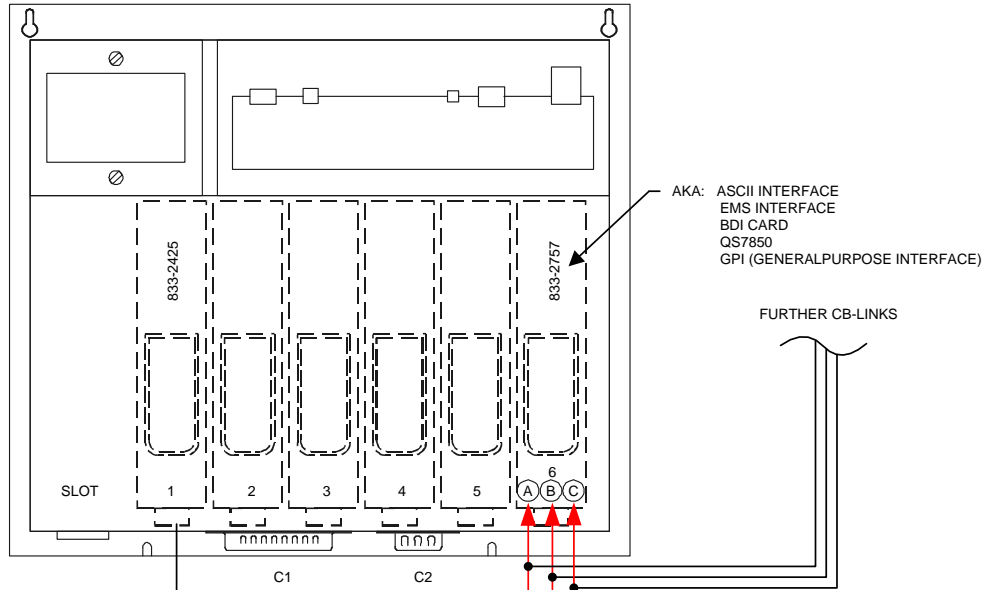
Connection type: RS-485 (Two wire, Half-Duplex)  
Baud Rates: 9600 (Vendor Limitation)  
Parity: None (Vendor Limitation)  
Parity: None (Vendor Limitation)  
Multidrop Capability: Yes

## 5 DEVICES TESTED

Device	Tested (FACTORY, SITE)
Cleaver Brooks Hawk, EC78XX Honeywell Link	SITE

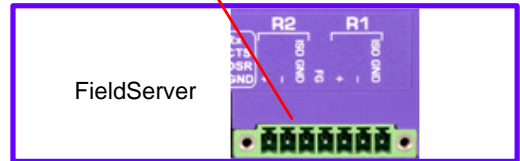
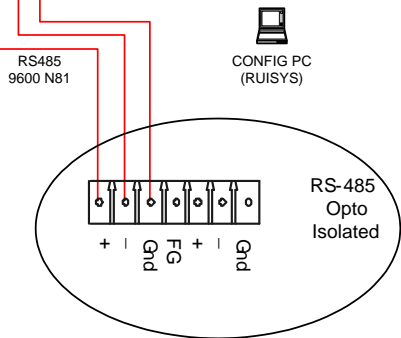
## 6 CONNECTION CONFIGURATIONS

CLEAVER BROOKS MODEL 833-2771 CB LINK or  
HONEYWELL Q7700 NETWORK INTERFACE UNIT



POSSIBLE DEVICES	
BCS7700	BURNER CONTROL
CB-HAWK	BURNER CONTROL
RM7800	BURNER CONTROL
RM7800	EXPANDED ANNUNCIATOR
QS7X00X	CARDS (QM40XX,
PULSATROL,	
Q7700	TRAPSCAN)
	NETWORK INTERFACE.
	etc

CB  
HAWK



## 7 COMMUNICATIONS FUNCTIONS - SUPPORTED FUNCTIONS AT A GLANCE:

The FieldServer can accept any information transmitted by the CB Hawk, including:

- Program, operate, auto, man, rem modes
- Flame failure
- Gas pressure Sensor high/low
- Fuel selection
- Atomizing air off
- Steam pressure, water temperature, oil pressure sensor information
- Lockout and pre-ignition interlock
- AC line frequency
- Excess AC line noise
- Damper motor
- Replace battery
- Fuel selection, recycle limits, oil pressure, oil temperature, lockout/interlock, open oil drawer hold
- Standby, prepurge, pilot ignition, fuel change, main ignition, run, post purge, safety shutdown
- Low fire cutoff, flame detected, test switch, damper motor holds
- Call CB service.

**8 DEVICE INFORMATION TABLE**

NETWORK INTERFACE UNIT		
MAKE	MODEL	NAME
Honeywell	Q7700	Network Interface Unit
Cleaver Brooks	833-2771	CB-Link

CONTROL MODULES						
MAKE	MODEL No. OF MODULE	MODULE NAME	PROPERTY NAME (.BP1; .BP2)	FILE CONFIGURATION NAME (.CSV)	FILE	NOTES
Honeywell	QS7700A	BCS7700	N/A	N/A		
Honeywell	QS7800A	7800 SERIES Control	N/A	N/A		
Honeywell	QS7800C	QM40XX Data Acquisition Module	ON REQUEST	QM40XX		Data Acquisition Modules
Armstrong	QS7800D	Trapscan System	ON REQUEST	ON REQUEST		
Honeywell	QS7800E	PulsaFeeder PULSAtr0l	PULSA	PULSA		
Honeywell	QS7800A	S7830 Expanded Annunciator	S7830	S7830		Expanded Annunciator
Honeywell	QS7800A	S7800 Keyboard/Display Module	S7800	S7800		
Honeywell	QS7800A	ST7800 Relay Module	ST7800			Requires S7800 module
Honeywell		RM7800E,G,L,M Relay Modules	RM78XX	RM78XX		
Honeywell		RM7840E,G,L,M Relay Modules	RM78XX	RM78XX		
Honeywell	N/A*	Q7700A,B				
CB-Link	833-2727	Display Module	N/A	N/A		
CB-Link	833-2729	Data Control Bus Module	N/A	N/A		
CB-Link	833-2734	CB 783	ON REQUEST	ON REQUEST		Requires 833-2727 or 833-2729 on module
CB-Link	833-2734	CB 780	ON REQUEST	ON REQUEST		
CB-Link	833-2734	CB 784	ON REQUEST	ON REQUEST		

Note: SYSNet is the generic name for networks of the listed modules. Controlbus is the generic name for the networks in a NIM/CBLink configuration

\* This is the chassis that the above modules plug into